

# Assembly instructions

## Wiring Pendant

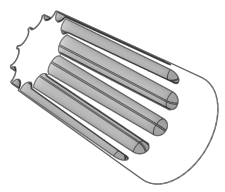


**WARNING :**  
Turn of power at circuit before wiring and  
always consult a licensed electrician.

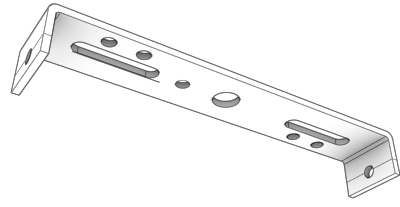
**Packing list:**



2 Junction Box Screw



2 Wire Connector



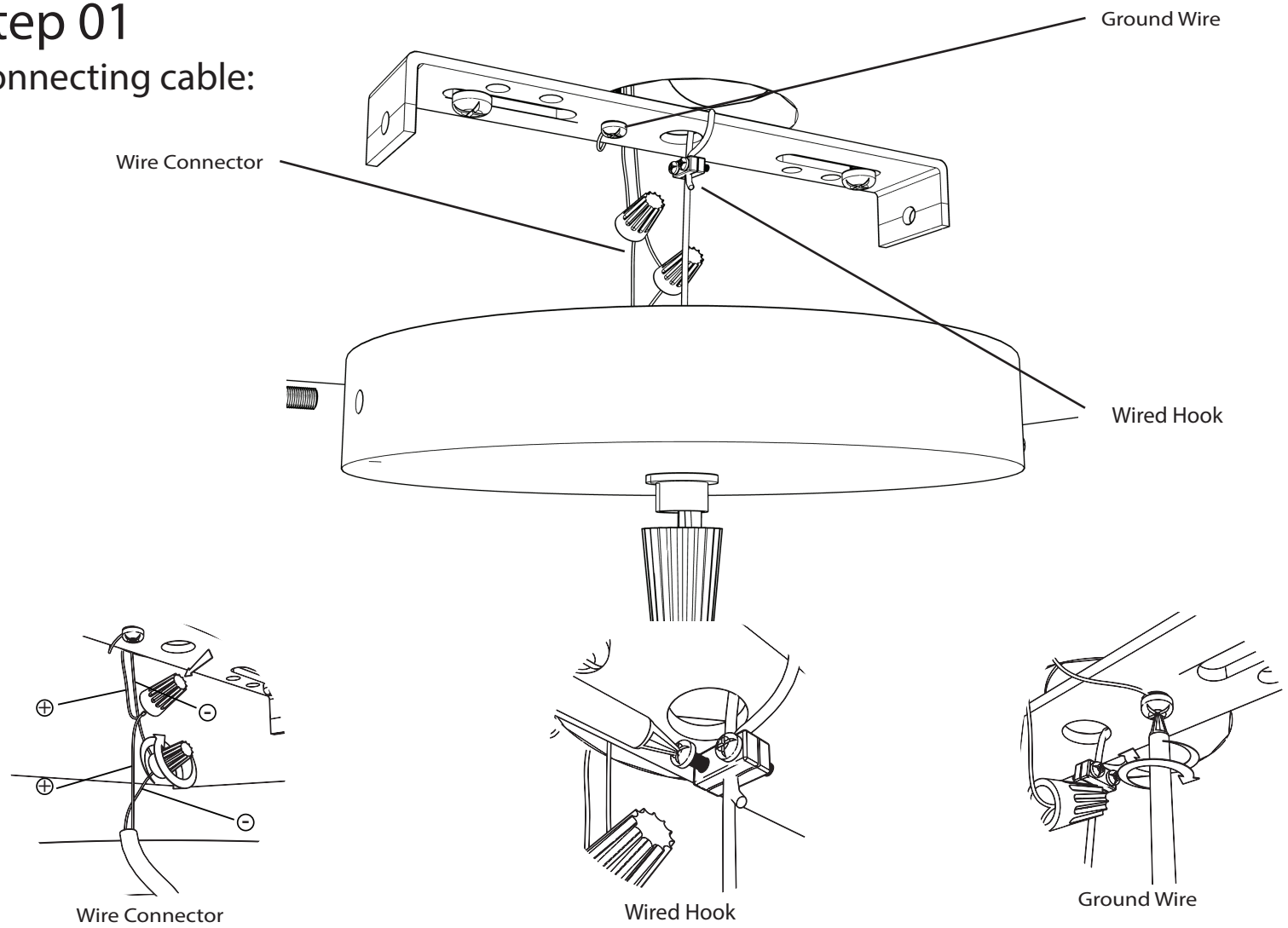
1 Mounting Bracket



2 Canopy Crew

### Step 01

#### Connecting cable:



**CAUTION:**

Tools Required: Phillips head screwdriver or screw bit



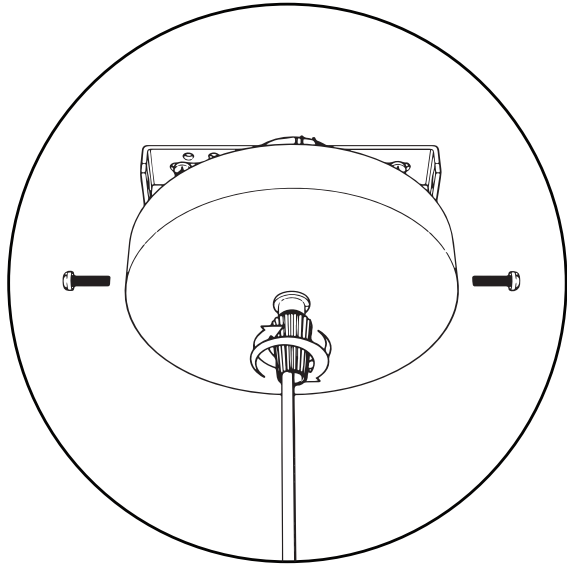
cordless screwdriver.

### Assembly Steps:

1. Turn off power circuit And Tie overhand knot inside the Canopy.
2. Locate the positive and Negative wires in the end of the cloth covered wire.
3. Strip end of wires to expose the stranded copper wire.
4. Connect matching wires with wire connectors and wrap secure with electrical tape.

# Step 02

## How to arrange hanging cables and wires:



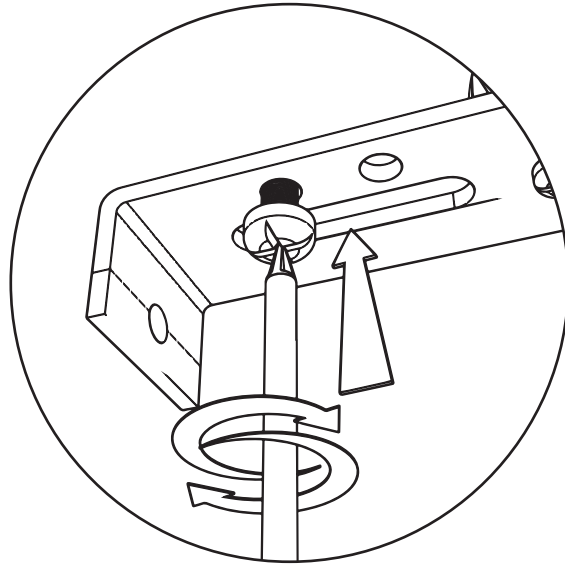
1. After installing the cables correctly.

2. Next adjust the height of the chandelier cable.

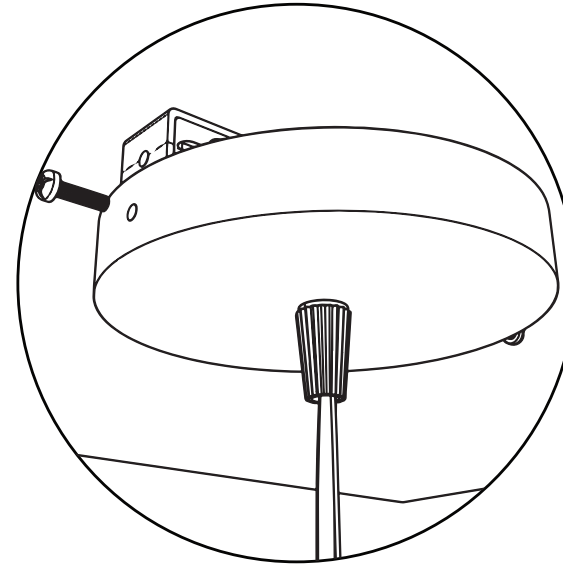
3. Adjust the length or short height of the light cable

4. Before locking the cable for the safety of the cable so as not to break, adjust the cable slightly slack from the chandelier support wire.

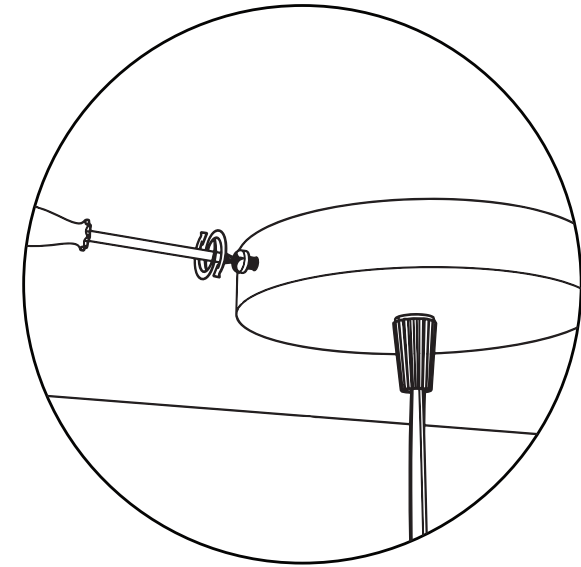
5. After that lock the cable at the bottom of the canopy by turning it tightly.



6. After the cable height is securely attached. Install the ceiling mounting plate using the screws provided.



7. Arrange the cables neatly before installing the canopy.



8. Attach the canopy to the mounting plate that has been installed on the ceiling then bolt on the side of the canopy.